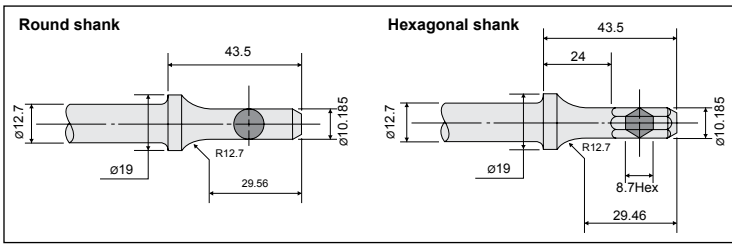
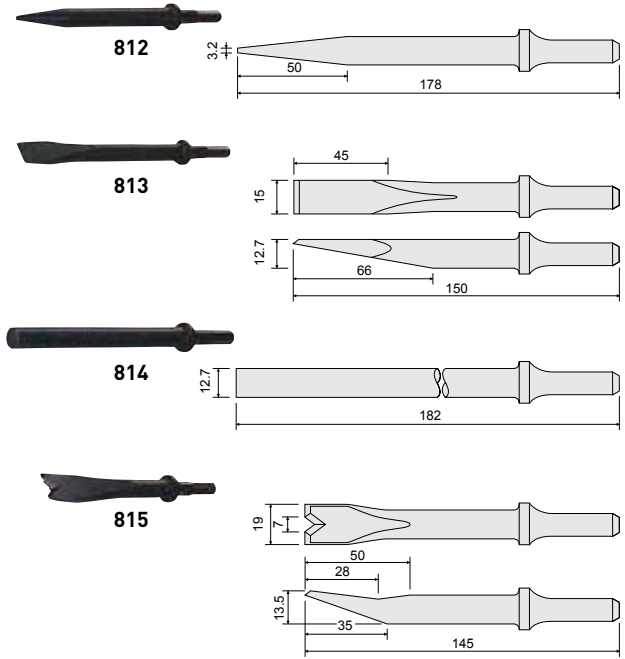
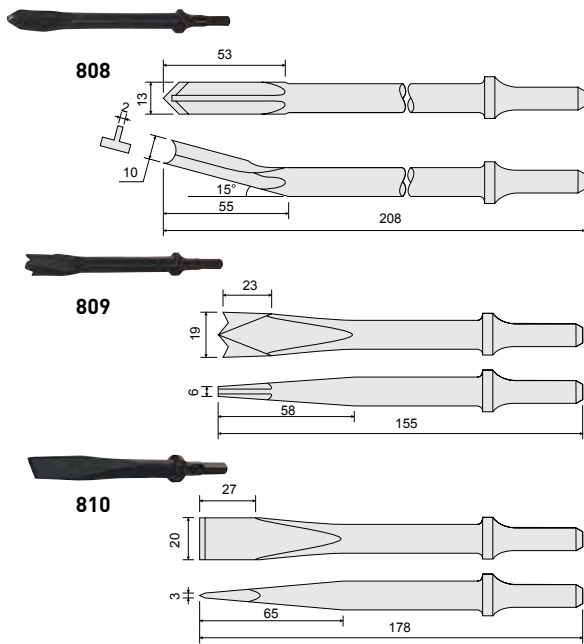


ACCESSORIES

CHISELS FOR FRH SERIES



Type	AC Number				Part Name
	Round	Part Number	Hexagonal	Part Number	
808	WA-808	541 205 8692	WA-808H	541 205 8693	Muller Cutter
809	WA-809	541 205 8694	WA-809H	541 205 8695	Double Edge Panel Cutter
810	WA-810	541 205 8696	WA-810H	541 205 8697	Flat Chisel
812	WA-812	541 205 8698	WA-812H	541 205 8699	Taper Punch
813	WA-813	541 205 8700	WA-813H	541 205 8701	Rivet Cutter
814	WA-814	541 205 8702	WA-814H	541 205 8703	Blank Chisel
815	WA-815	541 205 8704	WA-815H	541 205 8705	Spot Weld Breaker

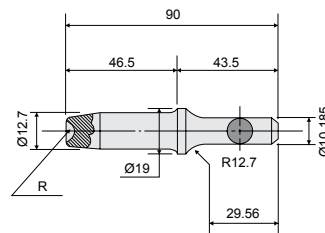


RETAINER FOR FRH AND FC-01SA SERIES



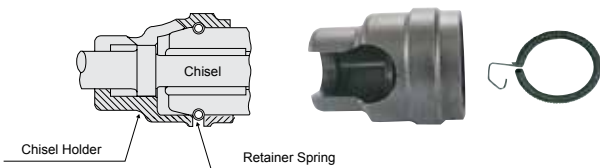
FC-01SA		FRH-3, 6		FRH-6A		Part Name
Item N°	Part Number	Item N°	Part Number	Item N°	Part Number	
H-043715-00	541 205 4377	H-019715-00	541 205 4323	H-024715-00	541 205 4349	Holder Spring
H-043719-00	541 205 4378	H-019719-00	541 205 4324	H-024719-01	541 205 4350	Holder Spring (B)

RIVET SNAPS FOR FRH SERIES



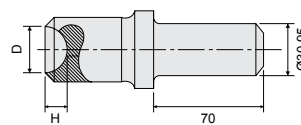
AC Number	Part Number	Rivet Size	
		R Size mm	Rivet Size mm
SNAP-3	541 205 6237	3.0	3
SNAP-4	541 205 6238	3.7	4
SNAP-5	541 205 6239	4.8	5
SNAP-6	541 205 6240	5.1	6

CHISEL HOLDERS FOR FC SERIES



FC-01		FC-1Z~4Z		Part Name
Item N°	Part Number	Item N°	Part Number	
H-059714-00	541 205 4401	H-047714-01	541 205 4388	Chisel Holder
H-059761-00	541 205 4402	H-047761-00	541 205 4389	Retainer Spring

BUTTON-HEAD RIVET SNAPS FOR B SERIES



AC Number	Part Number	Button Head Rivet Rivet Diameter		Rivet Snap Dimensions (mm)	
		mm	in	D	H
SNAP-50	541 210 3631	10	3/8	15.8	6.5
SNAP-51	541 207 5531	13	1/2	20.5	8.3
SNAP-52	541 206 0309	16	5/8	25.5	10.2
SNAP-53	541 206 0310	19	3/4	29.5	12.5
SNAP-54	541 206 0311	22	7/8	34.5	14.4
SNAP-55	541 207 5535	25	1	39.5	16.2

PERCUSSIVE TOOLS

ACCESSORIES

CHISELS FOR FC-SERIES

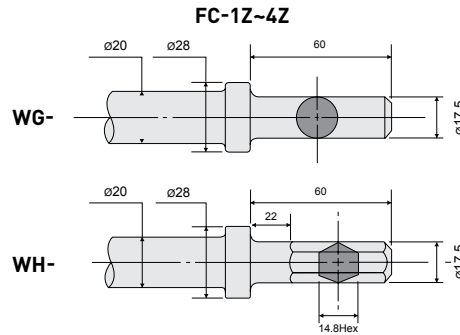
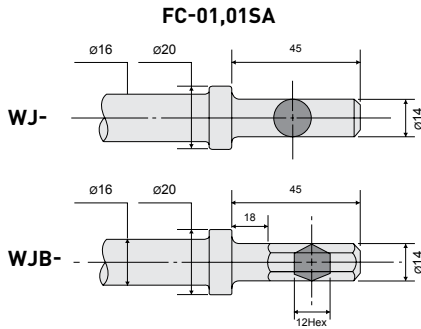
CHISELS / MODELS REFERENCE

	Shape of Chisel Bush	
WJ-	Round	FC-01-4
WJB-	Hex	FC-01-3

	Shape of Chisel Bush	
WG-	Round	FC-1Z-2-4Z-2
WH-	Hex	FC-1Z-1-4Z-1

	Chisel End Shape
P	Point
F	Flat
SL	Scaling

CHISELS SHANK SIZE



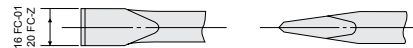
SHAPES OF CHISEL ENDS

BLANK CHISELS



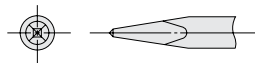
AC Number	Part Number	Overall Length	Chisel Shank	Model
		mm		
WJ-8	541 205 8740	200	Round	FC-01-4 FC-01SA
WJ-10	541 205 8737	250		
WJ-12	541 205 8738	300		
WJ-16	541 205 8739	400		
WJB-8	541 205 8750	200	Hex	FC-01-3 FC-01SA
WJB-10	541 205 8744	250		
WJB-12	541 205 8748	300		
WJB-16	541 205 8749	400		
WG-10	541 205 8708	250	Round	FC-1Z-2- 4Z-2
WG-12	541 205 8712	300		
WH-10	541 205 8717	250	Hex	FC-1Z-1- 4Z-1
WH-12	541 205 8721	300		

FLAT CHISELS (F)



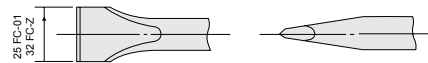
AC Number	Part Number	Overall Length	Chisel Shank	Model
		mm		
WJ-8F	541 205 8740	200	Round	FC-01-4 FC-01SA
WJB-8F	541 205 8740	200	Hex	FC-01-3 FC-01SA
WJB-10F	541 205 8740	250		
WG-8F	541 205 8740	200	Round	FC-1Z-2- 4Z-2
WG-10F	541 205 8740	250		
WH-8F	541 205 8740	200	Hex	FC-1Z-1- 4Z-1
WH-10F	541 205 8740	250		

POINT CHISELS (P)



AC Number	Part Number	Overall Length	Chisel Shank	Model
		mm		
WJ-8P	541 205 8742	200	Round	FC-01-4 FC-01SA
WJB-8P	541 205 8752	200	Hex	FC-01-3 FC-01SA
WJB-10P	541 205 8746	250		
WG-8P	541 205 8715	200	Round	FC-1Z-2- 4Z-2
WG-10P	541 205 8710	250		
WH-8P	541 205 8728	200	Hex	FC-1Z-1- 4Z-1
WH-10P	541 205 8719	250		

SCALING CHISELS (SL)

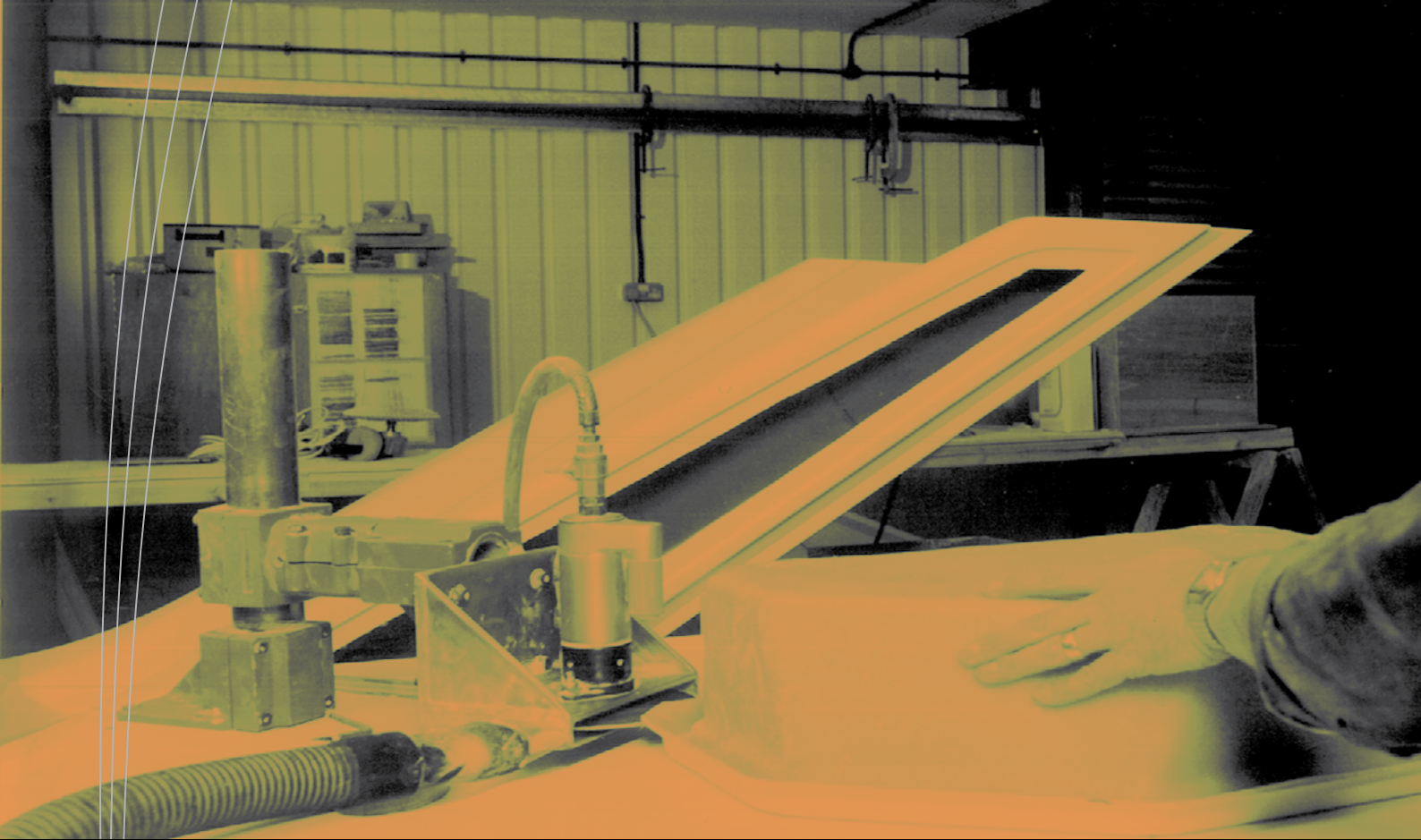


AC Number	Part Number	Overall Length	Chisel Shank	Model
		mm		
WJ-8SL	541 205 8743	200	Round	FC-01-4 FC-01SA
WJB-8SL	541 205 8753	200	Hex	FC-01-3 FC-01SA
WJB-10SL	541 205 8747	250		
WG-8SL	541 205 8716	200	Round	FC-1Z-2- 4Z-2
WG-10SL	541 205 8711	250		
WH-8SL	541 205 8729	200	Hex	FC-1Z-1- 4Z-1
WH-10SL	541 205 8720	250		

RUBBER BUTTS FOR FR-SERIES



Type	Part Number	Size			Model
		D	d	H	
		mm	mm	mm	
R-1	541 205 5532	51	11.8	60	FR-18B, 18L
R-1-1	541 205 5533	41	12.7	47	FR-18B, 18L
R-2	541 205 5534	51	13.75	60	FR-22B, 22L
R-3	541 205 5535	67	17.25	80	FR-25B, 25L
R-4	541 205 5536	75	18.75	92	FR-32



AIR MOTORS

REVERSIBLE / NON-REVERSIBLE TYPE _____ 92